

Mounting your HDMI-31

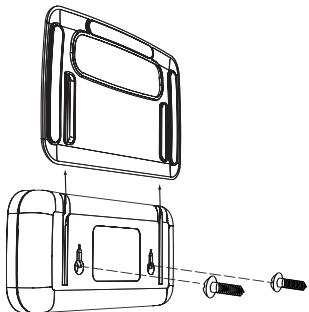
Your Terk HDMI-31 is designed to be mounted two ways for your convenience.

Shelf or table top mounting:

The Terk HDMI-31 comes with the base mounting bracket installed. This bracket has anti-slip rubber pads and is designed to support the HDMI-31 on any flat surface. The bracket extends beyond the connector area for added stability when HDMI™ cables are installed.

Wall Mounting:

To mount the Terk HDMI-31 on a wall simply remove the base mounting bracket by sliding it off the HDMI-31. (See figure 2) The base of the HDMI-31 has 2 keyhole holes for mounting to a wall.



Performance Specifications

Video Amplifier Bandwidth:	1.65 Ghz
Compatible Format Support:	DVI, HDCP
Resolution Supported:	480p, 720i/p, 1080i/p [Computer signal" up to UXGA - 1600x1200]
Input/Output Connectors:	HDMI type-A, 19pin 3 Input, 1 Output
AC In:	AC 115V/60Hz, AC 230V/60Hz
DC Output:	5VDC/500mA

Limited Warranty

Audiovox Corporation (Audiovox) warrants this product against defects in materials or workmanship for one (1) year from the date of purchase. During this period, this product will be replaced without charge. This warranty does not cover any damage due to acts of nature, commercial use, accident, misuse, abuse or negligence. This warranty is only valid in the USA. Replacement as provided under this warranty is the exclusive remedy of the consumer. Audiovox shall not be liable for any incidental or consequential damages for breach of any express or implied warranty on this product, except to the extent that limitations of this sort are prohibited by applicable law. THERE ARE NO IMPLIED WARRANTIES OF MERCHANTABILITY OR FITNESS FOR A PARTICULAR PURCHASE EXCEPT TO THE EXTENT THAT IMPLIED WARRANTIES OF EITHER SORT ARE REQUIRED BY APPLICABLE LAW, AND IN SUCH CASE, EACH WARRANTY IS LIMITED IN DURATION TO THE ONE YEAR.

For customer service and technical information::1.800.290.6650

TERK and the TERK logo are registered trademarks of AUDIOVOX Corp.



For Customer Service
Visit Our Website At
www.terk.com
Product Information, Photos,
FAQ's, Owner's Manuals

HDMI-31

OWNER'S MANUAL



HDMI-31
Smart HDMI 3X1 Selector

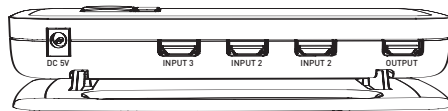
TERK

About your TERK HDMI-31 SMART Switch

Thank you for choosing the Terk HDMI-31 SMART Switch. The Terk HDMI-31 SMART Switch provides high-performance input source selection for one, two, or three HDMI™ AV sources, along with full digital-domain signal repeater functions and comprehensive HDCP support. The Terk HDMI-31 SMART switch is a sleek, compact, high-performance 3-input HDMI™ source selector. It is designed for use in home theater, HDTV, Digital Television, and personal computer digital video and audio switching applications. The HDMI-31 accepts output from up to three HDMI sources, such as set-top boxes, DVD players, game consoles, personal video recorders, and enables selection of one output to be sent on to an HDMI-enabled TV, display, or AV receiver. The HDMI-31 eliminates the need to disconnect and reconnect between multiple HDTV sources and allows you to get the highest quality picture possible from all of your HDMI compatible components. Terk's engineering and design departments are dedicated to designing products that enhance both the latest technology and the aesthetics of any viewing environment. The HDMI-31 installs in minutes and is easy to use. The HDMI-31 has two operating modes. In the manual mode you can toggle through the three different input sources by pressing the manual button. In the automatic mode, the selector will automatically switch to a new source when that source is activated. Before using your HDMI-31 selector, please remove all parts from the box and read this owner's manual carefully.

1

Making Connections to your TERK HDMI-31



Connecting HDMI™ components:

1. Connect an HDMI™ cable from your HD TV's HDMI input to the connector labeled "OUTPUT" on the HDMI-31.
2. Connect up to three HDMI™ cables from sources such as your HD set-top box, DVD player or game console to the three inputs labeled "INPUT1, INPUT2 and INPUT 3"
3. Connect the A/C power adapter to the DC power connector labeled "DC 5V".
4. Plug the A/C power adapter into a working electrical outlet.

Connecting DVI components:

The Terk HDMI-31 can also be connected to a HD TV set that has a DVI (digital video interface) input connector or a DVI source component such as a set-top box by using a DVI cable and a DVI-HDMI adapter such as the Terk HDMI-A or a DVI to HDMI cable. Please note that when using a DVI connection the DVI connection is for a video connection only and you will need to connect your audio connections separately.

You are now ready to use your HDMI-31.

2

Using your TERK HDMI-31

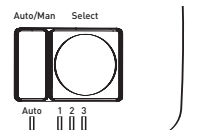
The Terk HDMI-31 has both a manual and automatic (Smart) mode.

Automatic Mode:

To use the automatic mode press the button labeled "AUTO/MAN." on the top of the Terk HDMI-31. The blue LED will light indicating that you are in automatic mode. When in the automatic mode the Terk HDMI-31 will automatically switch to an input when a video signal is present. For example if your DVD play is connected to input 1, when you turn on that DVD play the HDMI-31 will automatically switch to input one and the blue LED labeled "1" will light. If you now turn on a component that is connected to either input 2 or 3 the HDMI will switch to that input and the LED will light accordingly. Your HDMI-31 always switches to the last product turned on when in the Automatic Mode.

Manual Mode:

To use the Terk HDMI-31 in manual mode press the button labeled "AUTO/MAN." until the LED labeled "AUTO" is not lit. Then press the button labeled "SELECT" to switch to the desired input. The LED will indicate which input is active.



3